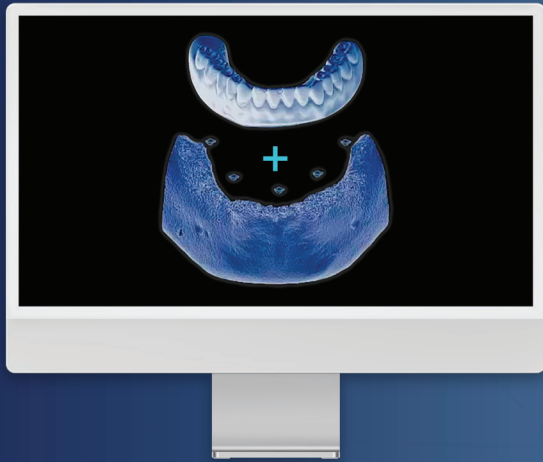


A Leading Visionary In Implantology



Scan Me!

EDENTULOUS PATIENT - DUAL SCAN PROTOCOL



CT 1 : PATIENT + RADIO OPAQUE DENTURE



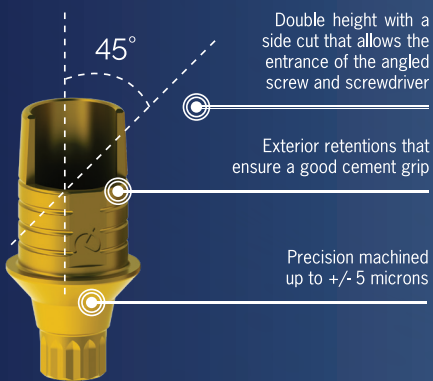
CT 2 : ONLY RADIO OPAQUE DENTURE

TO CORRECT ANGULATION

up to 45°



DYNAMIC TIBASE®

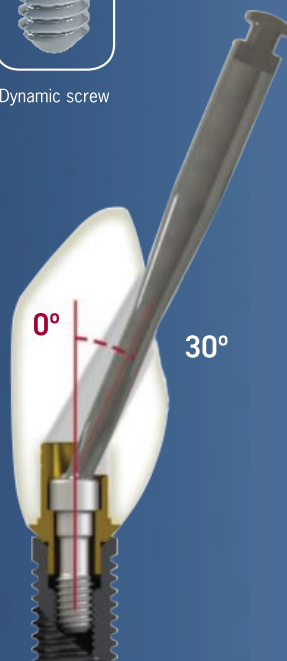
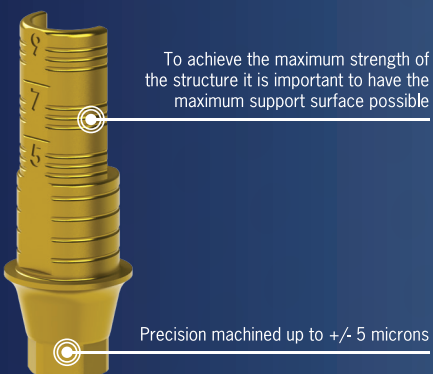


Dynamic screw

CAPTIVE SYSTEM

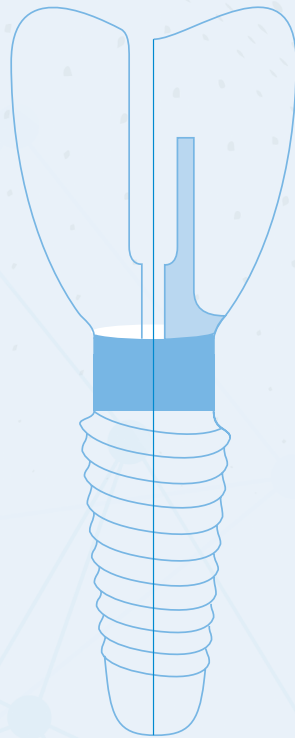
- Keep the angulation
- Best aesthetic angled channel \varnothing 2mm
- Angled channel reduction of 32%
- Increases the volume of the structure
- Captive Screw (Put the screw on the TiBase® before cementing)

DYNAMIC 3 TIBASE®



Screw-retained/ Screw-and-cement-retained prosthesis (SCRP)

Cement-retained



Single Crown

Single Crown

Original ABT

Original Customized ABT

Original ABT

Original Customized ABT

PFM
Zirc on Ti base
With angle compensation

PFM
Zirconia

Bridge

Bridge

Original ABT

Direct Implant

Original Customized ABT

Original ABT

Original Customized ABT

PFM
Zirc on Ti base

PFM
Zirconia

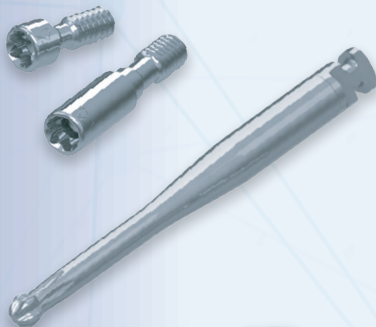
**Bridge on Bar/
Thimble Crown**

Original ABT

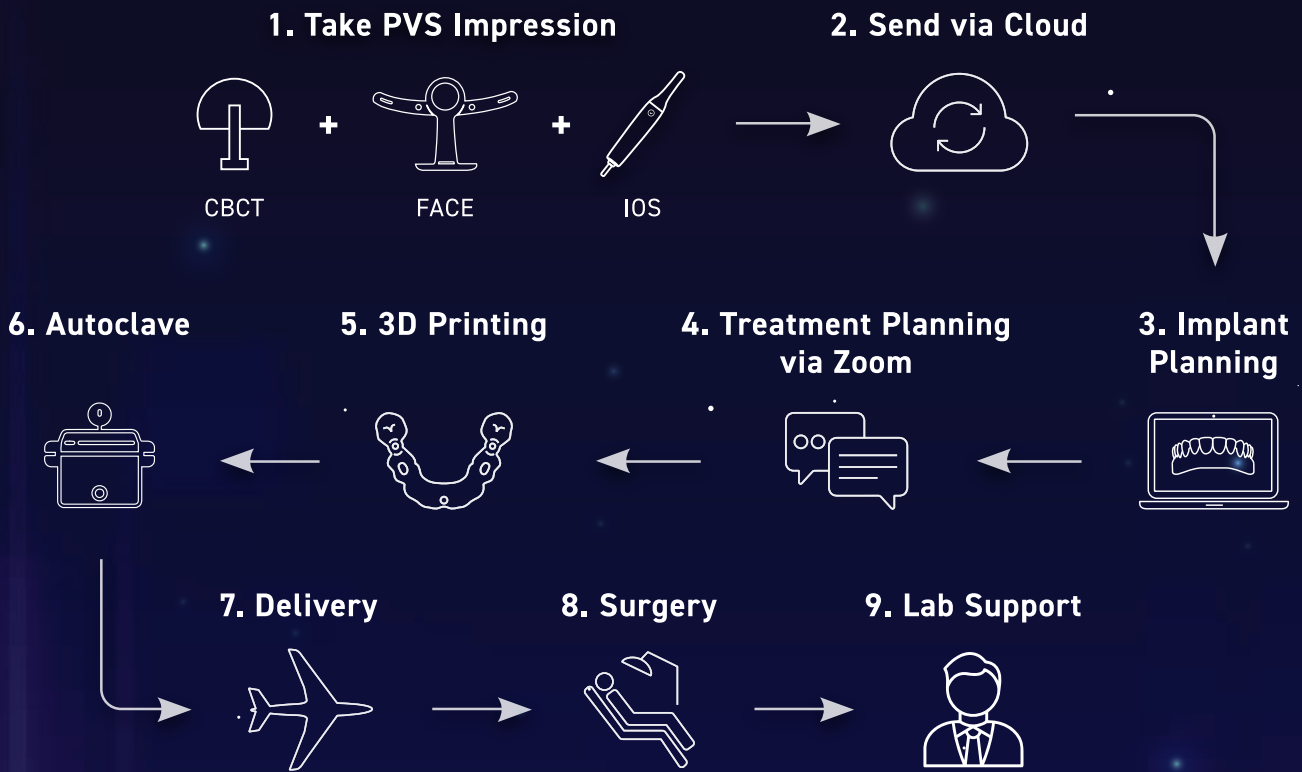
Direct Implant Bar
On Multi Unit
Abutment (MUA)

Original Customized ABT

Crown



Implant Planning Workflow



Dynamic Abutment Solutions ASC	Premilled Ti Blank (Customised)	Original ASC



APEX
DIGITAL DENTAL
 MODERN Dental Group



+60 12- 768 3668



info@apexdental.com.my



Wisma Bentley Music, Lot 2.01A-B, Level 2, Jalan PJU 7/2, Mutiara Damansara, 47820 Petaling Jaya, Selangor